

NB: Part No. Rationalisation – any 10 digit part numbers in brackets are the old part numbers for otherwise identical components

LX-300+

Page No.:1

REF.	PART NO	DESCRIPTION	SPEC	QTY
100	1104879	HOUSING ASSY.,LOWER		1
101	1052607	INSULATOR;A		1
102	1052608	INSULATOR;B		2
103	1050438	HOUSING,UPPER		1
104	1050444	SHIELD PLATE,LOWER		1
105	1050626	COVER ASSY.,PRINTER		1
106	1051718	KNOB;W		1
109	1050625	SHEET GUIDE ASSY.		1
111	1050445	SHIELD PLATE,UPPER		1
115	1051972	COVER CONNECTOR,CS;W		1
116	1076213	HEXAGON NUT(B070200411)	M4	1
117	1050446	GROUNDINGPLATE		2
118	1052564	GROUNDING PLATE,PANEL		1
119	1054191	EDGING;A		1
120	1056595	LOGO PLATE		1
123	1053926	FERRITE CORE,FPC-25-20		1
124	1054471	SHEET,PROTECT		1
125	1076260	CONNECTOR LOCK NUT(X610058724)		2
127	1012350	C.B.P-TITE,3X10,F/ZN		18
128	1073162	C.B.S. SCREW(B300200111)	M3X4	2
129	1013733	C.B.B-TITE(P(13)),3X14,F/ZN		2
130	1073114	C.B.(O) SCREW 4X8 F/ZG(B045800115)	M4X8 F/ZG	1
131	1004527	C.P.SCREW(B010109511)	M3X4	2
132	1073165	C.B.S. SCREW(B300204211)	M3X6	2
180	1054395	GUIDE,STACKER		2
200	2035091	BOARD ASSY.,MAIN	5655A,HYOUJUN	1
IC7	2034527	EP-ROM(BLANK SOJ)	OTHER,8MBIT,80N/SEC,	1
IC7	2035694	EP-ROM	DIP,8 MBIT,42	1
300	2056545	BOARD ASSY., POWER SUPPLY	5616C,C395(CHANGE OF CN1)	1
320	2034843	HARNESS		1
401	2056520	HARNESS		1
450	2033545	BOARD ASSY.,PANEL	5617A,STANDARD	1
451	1051927	SHEET,PANEL		1
500	2034598	PRINTER MECHANISM,M-3M10-100		1
501	1058355	FRAME ASSY.,LEFT		1
502	1063465	FRAME,RIGHT		1
503	2032892	MOTOR ASSY.,CARRIAGE	,	1
504	1050423	EXTENSION SPRING,8.10		1
505	1050611	LEVER ASSY.,PLANETARY		1
506	1050431	SHAFT,CR,GUIDE		1
509	1018157	SPUR GEAR,13.2		1
510	1018158	COMBINATION GEAR,5.1,16.2		2
511	2032893	MOTOR ASSY.,PAPER FEED	,	1
512	1061328	COVER,RIBBON DRIVE		1
513	1022466	RATCHET,RIBBON DRIVE		1
514	2020393	DETECTOR,LEAF,B2	1,0V,0A,	3
515	1018191	GROUNDING WIRE,PLATEN		1
516	1050612	PULLEY ASSY.,DRIVEN		1
517	2032884	HARNESS,HP	...	1
518	1011130	C.P.B SCREW(B310104611)	M3X14	1
520	1050407	PAPER GUIDE		1
521	2032887	DETECTOR,PAPER END,REAR		1
522	2032889	HARNESS,PAPER END,REAR	...	1
523	2032888	DETECTOR,PAPER END,BOTTOM		1

EPSON

NB: Part No. Rationalisation – any 10 digit part numbers in brackets are the old part numbers for otherwise identical components

LX-300+

Page No.:2

REF.	PART NO	DESCRIPTION	SPEC	QTY
524	2032890	HARNESS,PAPER END,BOTTOM	...	1
525	1050413	HOLDER,ROLLER,PF		2
526	1050408	ROLLER,PAPER FEED,DRIVEN		2
527	1066758	ROLLER,PAPER FEED,DRIVEN,REAR;C		1
528	1050424	COMPRESSION SPRING,13.72		2
529	1050406	SHAFT,RELEASE		1
530	1050617	PAPER GUIDE ASSY.		1
531	1074776	RETAINING RING(B150301111)	TYPE-E(8)	2
532	1008995	BUSHING,11		2
533	1008637	U-TYPE,11.2X0.13X16S/NA		1
534	1076268	PLAIN WASHER(B100166990)	11.3X0.5X16.5	1
535	1050435	PLATEN		1
536	1061835	CARRIAGE ASSY.		1
537	1061834	GROUNDING PLATE,HEAD		1
538	1052555	OIL PAD		1
539	1050405	LEVER,G,ADJUST		1
540	1018248	RIBBON MASK		1
541	1050422	TIMING BELT		1
542	1061327	BUSHING,PARALEL,,ADJUST		2
543	2032885	CABLE,HEAD		1
544	2032886	HARNESS,PG	...	1
545	1060739	PAPER GUIDE ,LOWER		1
550	1018190	SPUR GEAR,17		1
551	1018219	PAPER SUPPORT		1
552	1050411	FRAME,TRACTOR,RIGHT		1
553	1050412	FRAME,TRACTOR,LEFT		1
554	1050417	TRACTOR,LEFT		1
555	1050418	TRACTOR,RIGHT		1
556	1050523	SHAFT,TRACTOR,GUIDE		1
557	1051403	SHAFT,TRACTOR,DRIVE		1
558	1074768	RETAINING RING(B150300911)	TYPE-E(6)	1
559	1018193	DAMPER		4
560	1061497	FRAME,BASE		1
561	1050427	PAPER GUIDE,SUPPORT		1
562	1052120	GROUNDING PALTE,SHAFT,CR		1
563	1052348	SHEET,CABLE,HEAD		1
564	1021543	GEAR,34		1
565	1050415	SPUR GEAR,27.5		1
566	1074747	PLAIN WASHER(B100153012)	5.2X0.3X10,S/NA	1
567	1050425	COMPRESSION SPRING,1.18		1
568	1050416	COMBINATION GEAR,8.5,25.2		1
569	2032891	HARNESS,RELEASE	...	1
570	1268002	PAPER EJECT ASSY		1
571	1050409	COMBINATION GEAR,17.5,27		1
573	1054470	GROUNDING PLATE,CS		1
575	2034978	GROUNDING WIRE,RIGHT	...	1
576	1054826	GROUNDING PLATE,PF		1
577	1054827	SHEET,PROTECT,CABLE		1
578	1054831	SHEET,PROTECT,M/B		1
579	1054469	SHEET,CABLE,CR		1
580	1012350	C.B.P-TITE,3X10,F/ZN		1
581	1073162	C.B.S. SCREW(B300200111)	M3X4	6
590	1050410	LEVER,RELEASE		1
650	F078010	PRINT HEAD,D3910-1	9	1

NB: Part No. Rationalisation – any 10 digit part numbers in brackets are the old part numbers for otherwise identical components

LX-300+

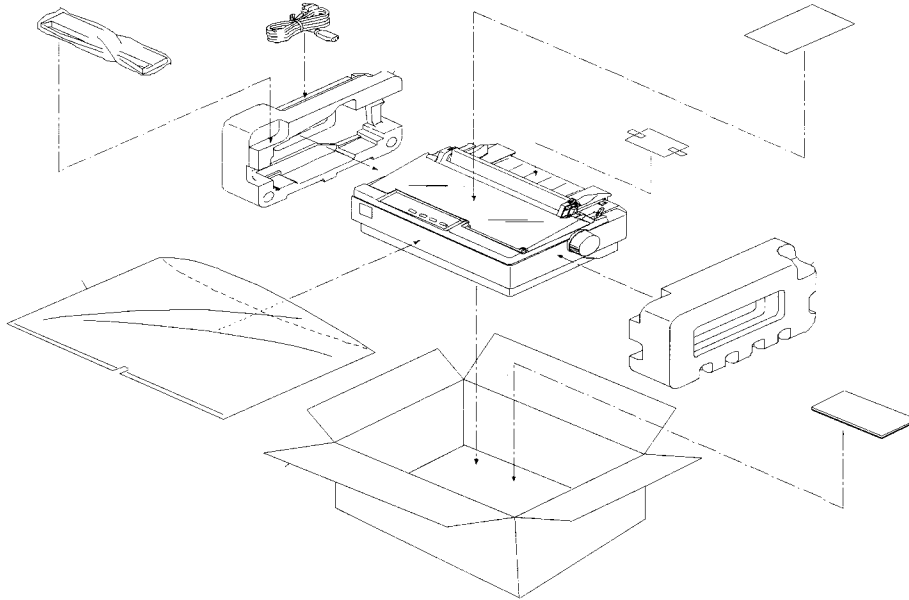
Page No.:3

REF.	PART NO	DESCRIPTION	SPEC	QTY
651	1027628	LABEL,WARNING		1
652	1261441	ROLLER,PAPER EJECT;B		1
END				

NB: Part No. Rationalisation – any 10 digit part numbers in brackets are the old part numbers for otherwise identical components

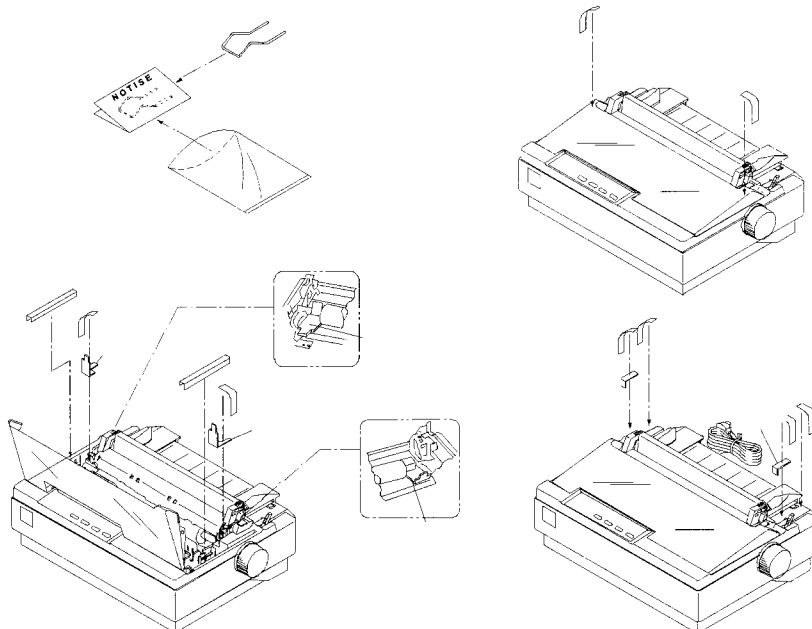
LX-300+

Page No.:5



LX-300+ No.03

PACKING SHOWN ONLY FOR REFERENCE
NO PACKING ITEMS AVAILABLE AS SPARES



LX-300+ No.04

PACKING SHOWN ONLY FOR REFERENCE.
NO PACKING ITEMS AVAILABLE AS SPARES